

Timney Trigger for Tikka T3



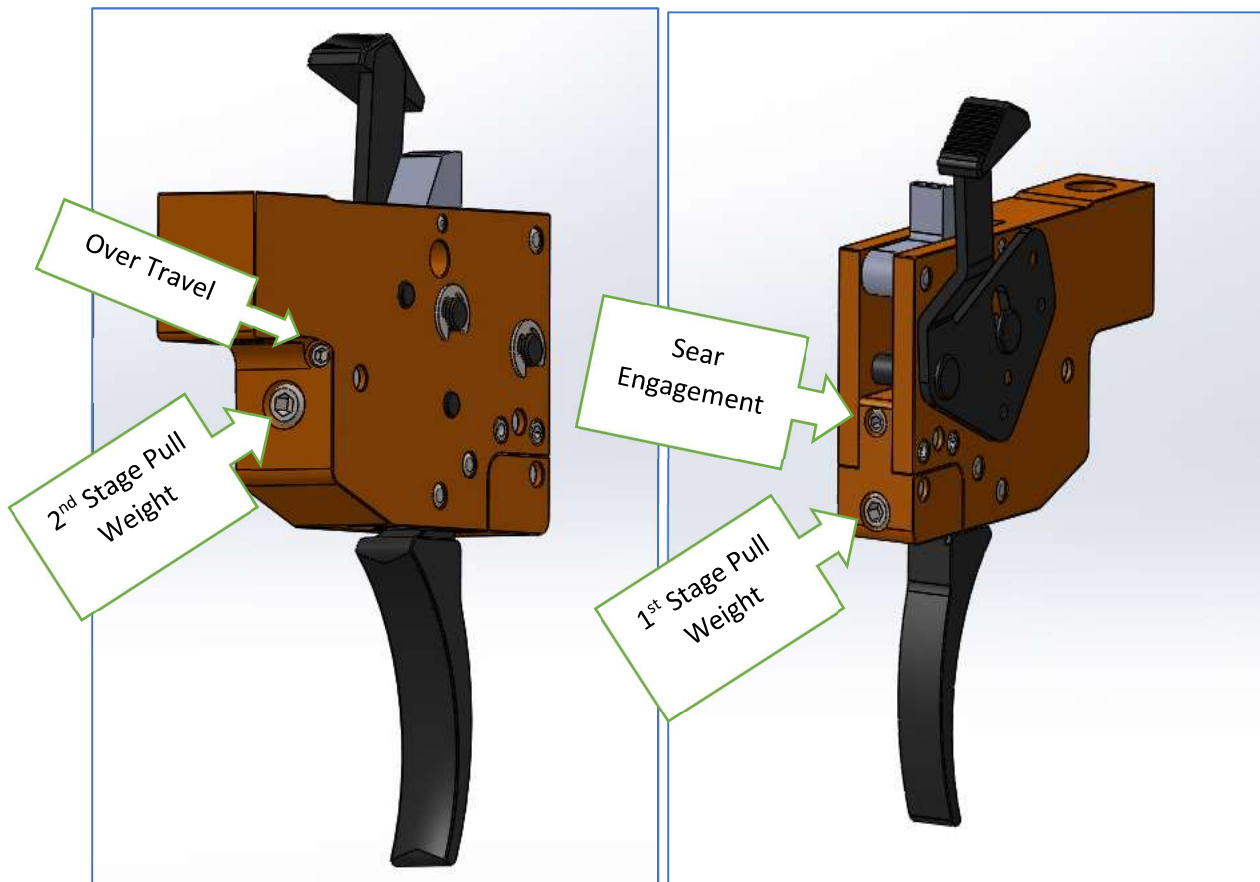
The World's Finest Triggers®

Tikka T3 INSTALLATION INSTRUCTIONS

Thank you for purchasing this Timney Tikka T3 Two-Stage Trigger. It has been designed and manufactured to provide you with a lifetime of dependable service. Each trigger is hand tested and calibrated on a rifle action before leaving our factory. Please read these instructions **fully** before you begin installing the trigger, you'll be glad you did.

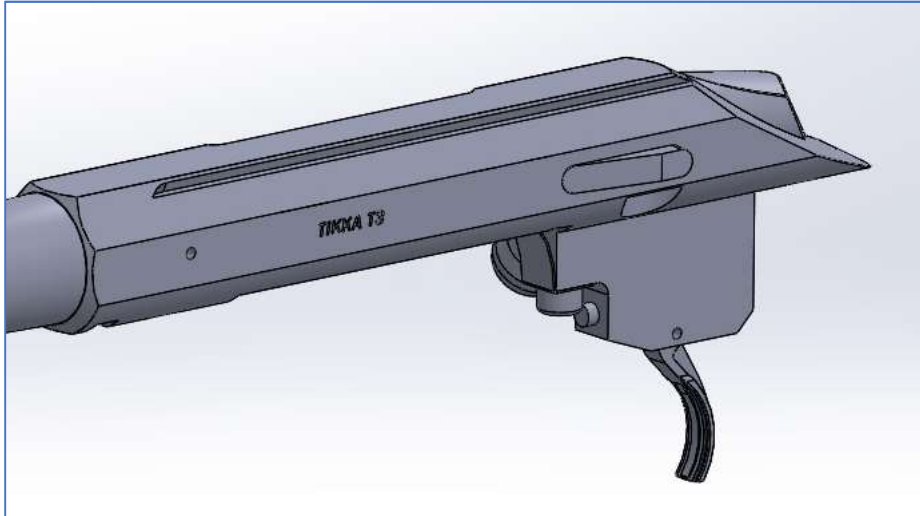
You'll need a T-20 Torx Wrench and a 5mm Allen wrench for installation. For adjustments to the factory settings you'll need a 5/64 Allen Wrench, a .050 Allen Wrench to make trigger adjustments.

Installation Instructions



1. Remove magazine and verify chamber is empty.

2. Remove stock screws using a T-20 Torx wrench. Set stock aside until installation of trigger is complete.



3. Using the 5mm Allen Wrench remove the trigger mounting screw and magazine retention spring.
4. Install the Timney Tikka T3 Trigger and remount magazine retention spring and 5mm Allen Screw.



5. Function check trigger in both the safe and fire positions.
6. Adjustment of the pull weight is completed by turning the pull weight screws with a 5/64 Allen Wrench.
 - a. To increase pull weight the screw is turned clockwise.
 - b. To reduce pull weight the screw is turned counter clockwise.
 - c. Sear Engagement and over travel are adjusted using a .050 Allen wrench
 - d. Sear Engagement is factory set to be crisp with no creep and should never need adjusting, but can be adjusted by turning the screw on the back of the housing.
7. Reinstall stock and tighten the stocks T-20 Torx Wrench Screws.

NOTE: *If you have trouble, contact Timney or check out the troubleshooting steps on the Timney web site www.timneytriggers.com. Timney will also install your Trigger for \$ 40.00 plus \$ 35.00 shipping and handling.*

TIMNEY TRIGGER GUARANTEE

Material and workmanship: This Timney trigger has been carefully inspected, tested and adjusted to give a lifetime of dependable service. Every possible care has been exercised in its design and construction. If any defect in workmanship or material should develop under conditions of normal use and service, any necessary repairs, including parts and labor will be made at NO CHARGE to the purchaser providing that our inspection reveals parts were not damaged through accident, alteration, misuse, abuse or other causes beyond our control. We neither assume nor imply any oral or statutory warranties, and we neither assume nor authorize any person to assume for us any obligation or liability in connection with this trigger. Repairs or disassembly of this trigger in any manner without specific authorization, voids the guarantee.